

PARTS LIST

GK4500S

CONTENTS

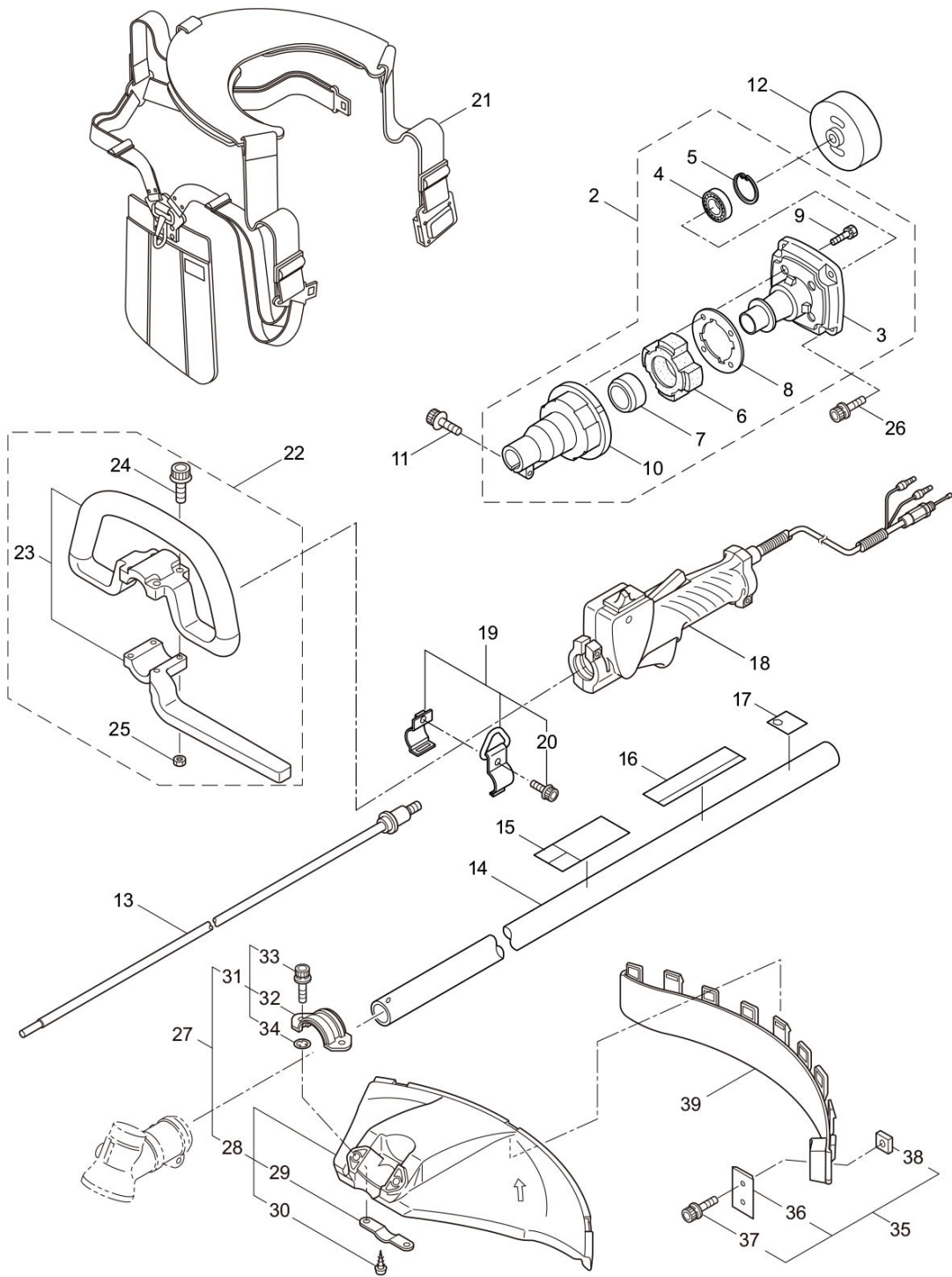
1. MAIN BODY	1
2. GEARCASE.....	3
3. ENGINE	5
4. CARBURETOR, FUEL TANK	9
5. ACCESSORIES	13

2021. 01.



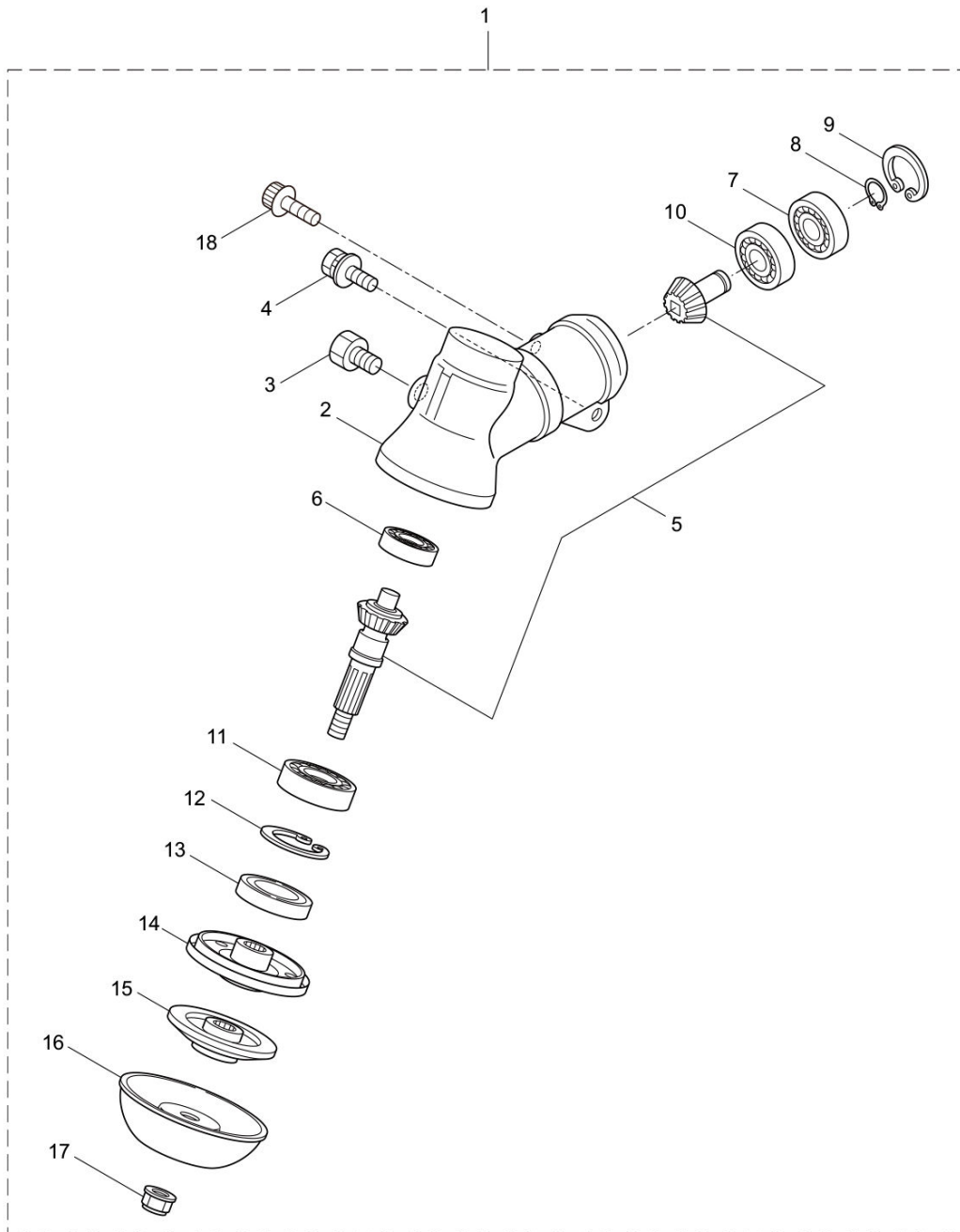
P/N 525120

GK4500S
1. MAIN BODY



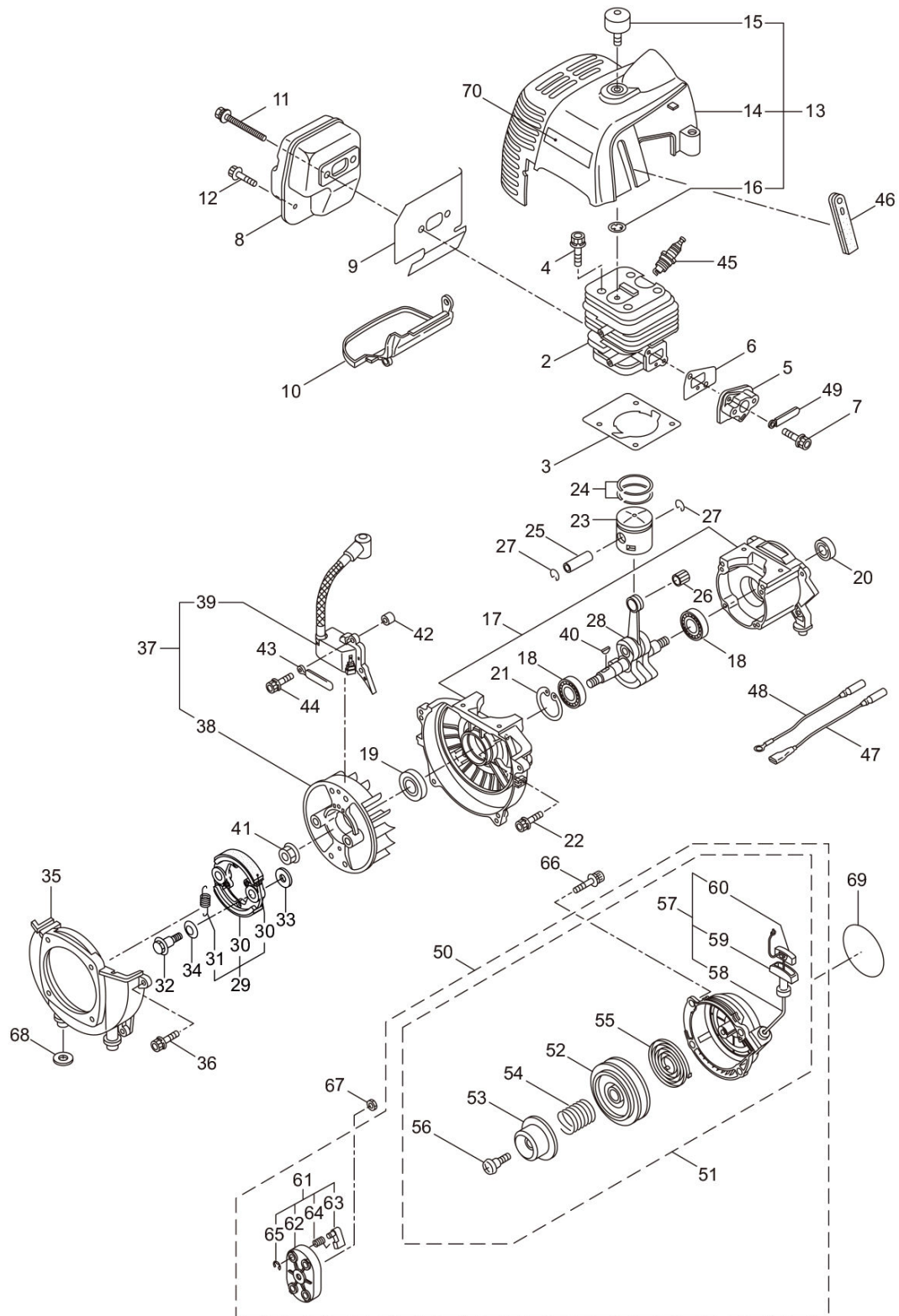
Status	Position	Parts Number	Parts Name	Unit Quantity	Lot Order Quantity	Remarks	Currency	Maker code
	1	365006	GK4500S(GARMEC)Y21	1		Y21		
	2	222543	CLUTCH CASE ASSY	1		Incl.3-10	JPY	
	3	222544	HOUSING	1			JPY	
	4	012649	BEARING 6201ZZ	1		#6201ZZ	JPY	
	5	016732	SNAP RING	1	5	#32	JPY	
	6	217045	BUFFER	1			JPY	
	7	217046	BUFFER	1			JPY	
	8	217047	WASHER	1			JPY	
	9	092033	SCREW	4	10	M5x15	JPY	
	10	222370	ADAPTOR	1			JPY	
	11	217134	BOLT	1		M6x30	JPY	
	12	222546	CLUTCH DRUM ASSY	1			JPY	
	13	222522	DRIVE SHAFT ASSY	1			JPY	
	14	224129	DRIVESHAFT TUBE	1			JPY	
	15	223188	CAUTION MARK	1			JPY	
	16	235709	NAME PLATE	1		GK4500S	JPY	
	17	228207	LABEL	1			JPY	
	18	231143	THROTTLE TRIGGER	1			JPY	
	19	231883	HANGING BRACKET ASSY	1		Incl.20	JPY	
	20	261762	SCREW	1		M5x14	JPY	
	21	232001	HANGING STRAP ASSY	1			JPY	
	22	232131	LOOP HANDLE ASSY	1		Incl.23-25	JPY	
	23	222520	LOOP HANDLE	1			JPY	
	24	215608	CAP SCREW	4	5	M5x30x16	JPY	
	25	081027	NUT	4	5	M5	JPY	
	26	219113	CAP SCREW	4		M6x20	JPY	
	27	235713	SAFETY COVER ASSY	1		Incl.28-34	JPY	
	28	232012	SAFETY COVER ASSY	1		Incl.29,30	JPY	
	29	237364	THREADED BRACKET	1			JPY	
	30	221580	SCREW	1	10	4x8	JPY	
	31	232093	BRACKET	1		Incl.32-34	JPY	
	32	223179	BRACKET	1			JPY	
	33	220632	CAP SCREW	2		M6x30	JPY	
	34	231704	WASHER	2		6x13xt1.0	JPY	
	35	231882	CUTTER ASSY	1		Incl.36-38	JPY	
	36	230747	CORD CUTTER	1			JPY	
	37	261250	CAP SCREW	1	5	M5x20	JPY	
	38	228325	SQUARE NUT	1			JPY	
	39	231033	COVER EXTENTION	1			JPY	

GK4500S
2. GEARCASE



Status	Position	Parts Number	Parts Name	Unit Quantity	Lot Order Quantity	Remarks	Currency	Maker code
	1	234837	GEAR CASE ASSY	1		Incl.2-18	JPY	
	2	232850	GERA CASE	1			JPY	
	3	234109	BOLT	1	5	M8x8	JPY	
	4	217134	BOLT	1		M6x30	JPY	
	5	234349	GEAR SET	1			JPY	
	6	014490	BEARING 6000	1		#6000	JPY	
	7	106933	BEARING 6000Z	1		#6000Z	JPY	
	8	014210	SNAP RING	1	5	#10	JPY	
	9	054676	RING SNAP	1	5	#26	JPY	
	10	014490	BEARING 6000	1		#6000	JPY	
	11	012544	BEARING	1		#6202	JPY	
	12	012380	SNAP RING	1		#35	JPY	
	13	232049	OIL SEAL	1		D21355	JPY	
	14	232322	BRACKET A	1			JPY	
	15	232052	BRACKET B	1			JPY	
	16	230849	NUT COVER	1			JPY	
	17	232920	NUT	1		M10x1.25	JPY	
	18	217135	BOLT	1		M6x10	JPY	

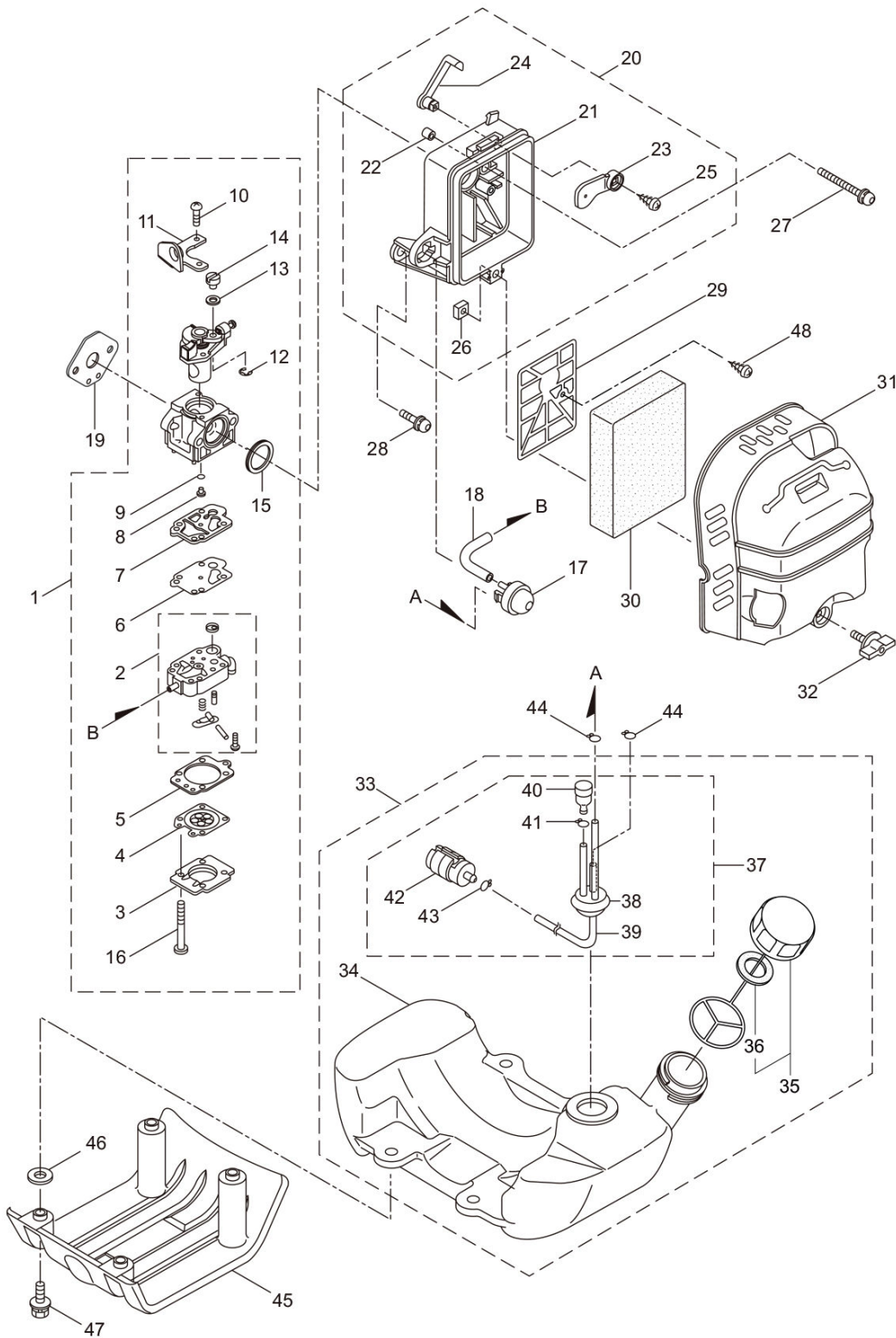
GK4500S
3. ENGINE



Status	Position	Parts Number	Parts Name	Unit Quantity	Lot Order Quantity	Remarks	Currency	Maker code
	1	875563		1		CE420/40	JPY	
×	2	279099	CYLINDER COMP.	1			JPY	
	3	279101	GASKET	1			JPY	
	4	261246	CAP SCREW	4	5	M5x25	JPY	
	5	285778	INSURATOR	1		New gasket required	JPY	
	6	285779	GASKET	1			JPY	
	7	265924	CAP SCREW	2	5	M5x25	JPY	
	8	285781	MUFFLER ASSY	1			JPY	
	9	285783	GASKET	1			JPY	
	10	285784	UNDER COVER	1			JPY	
	11	266713	CAP SCREW	2		M5x60	JPY	
	12	283315	CAP SCREW	1		M5x12W-12	JPY	
	13	286891	TOP COVER	1		Incl.14-16	JPY	
	14	285786	TOP COVER	1			JPY	
	15	285843	KNOB BOLT	1			JPY	
	16	286362	WASHER	1	5	M6	JPY	
	17	288200	CRANKCASE	1			JPY	
	18	262658	BEARING 6202 C3	2		#6202C3	JPY	
	19	246472	OIL SEAL	1			JPY	
	20	246471	OIL SEAL	1			JPY	
	21	012380	SNAP RING	1		#35	JPY	
	22	261612	CAP SCREW	4		M5x30	JPY	
	23	285795	PISTON	1			JPY	
	24	262476	PISTON RING	2		(2)Required	JPY	
	25	262749	PISTON PIN	1			JPY	
	26	262659	NEEDLEBEARING KTV111414EGX01B2	1		KTV111414EG01B2	JPY	
	27	262479	CLIP PISTON	2			JPY	
	28	285797	SHAFT COMPLETE	1			JPY	
	29	286905	CLUTCH ASSY	1		Incl.30,31	JPY	
	30	286906	CLUTCH SHOE	2		(2)Required	JPY	
	31	286907	SPRING CLUTCH	1			JPY	
	32	246377	CLUTCH BOLT	2		M8x1.25	JPY	
	33	262683	WASHER	2	5	8x22xt1.2	JPY	
	34	262682	WAVE WASHER	2	5		JPY	
	35	282285	FAN COVER	1			JPY	
	36	261250	CAP SCREW	4	5	M5x20	JPY	
	37	287597	MAGNETO ASSY	1		Incl.38,39	JPY	
	38	286207	ROTOR	1			JPY	
	39	287598	IGNITION ASSY	1			JPY	
	40	261076	WOODRUFF KEY 3X10	1	5	3x10	JPY	
	41	262731	NUT	1		M10	JPY	
	42	280381	SPACER	2	5		JPY	
	43	287714	CLAMP	1			JPY	

Status	Position	Parts Number	Parts Name	Unit Quantity	Lot Order Quantity	Remarks	Currency	Maker code
	44	261256	BOLT	2	5	M4x25	JPY	
	45	288264	SPARK PLUG	1		BPMR8Y	JPY	
	46	286988	GROMMET	1			JPY	
	47	283735	WIRE COIL	1			JPY	
	48	284541	LEAD	1			JPY	
	49	264588	CLAMP	1	5		JPY	
	50	285809	RECOIL STARTER ASSY	1		Incl.51-65	JPY	
	51	285810	RECOIL STARTER ASSY	1		Incl.52-60	JPY	
	52	286291	REEL	1			JPY	
	53	286292	CAM PLATE	1			JPY	
	54	286293	CAMPER SPRING	1			JPY	
	55	280995	SPIRAL SPRING	1			JPY	
	56	286295	SET SCREW	1			JPY	
	57	286296	STARTER ROPE ASSY	1		Incl.58-60	JPY	
	58	286297	STARTER ROPE	1		3.8x1000	JPY	
	59	262633	STARTER KNOB	1			JPY	
	60	262981	CAP	1			JPY	
	61	285679	STARTER PULLEY ASSY	1		Incl.62-65	JPY	
	62	285680	STARTER PULLEY	1			JPY	
	63	285681	RATCHET	2			JPY	
	64	285682	RETURN SPRING	2			JPY	
	65	262638	E-RING	2			JPY	
	66	268940	SCREW	4		M5x18	JPY	
	67	285736	NUT	1		M8	JPY	
	68	285735	RUBBER PACKING	4	5		JPY	
	69	273285	LABEL	1			JPY	
	70	265694	LABEL	1			JPY	

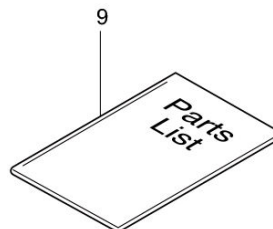
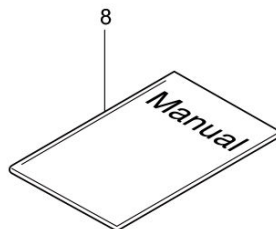
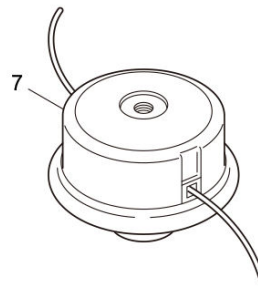
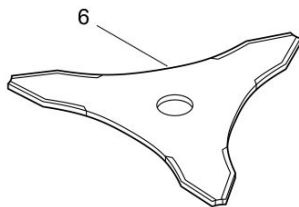
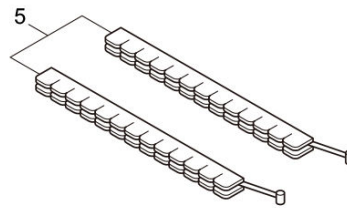
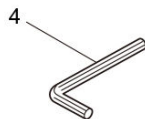
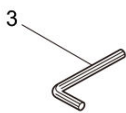
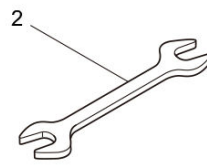
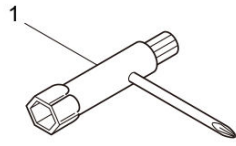
GK4500S
 4. CARBURETOR, FUEL TANK



Status	Position	Parts Number	Parts Name	Unit Quantity	Lot Order Quantity	Remarks	Currency	Maker code
	1	287021	CARBURETOR ASSY	1		Incl.2-16 New gasket required	JPY	
	2	283124	CARBURETOR BODY	1			JPY	
	3	263726	COVER PLATE	1			JPY	
	4	283905	DIAPHRAGM METERRING	1			JPY	
	5	263727	GASKET	1			JPY	
	6	262994	DIAPHRAGM	1			JPY	
	7	282576	GASKET	1			JPY	
	8	287061	JET	1			JPY	
	9	261871	O-RING	1			JPY	
	10	261875	SCREW	2			JPY	
	11	264677	BRACKET	1			JPY	
	12	261876	RING	1			JPY	
	13	264678	WASHER	1	5		JPY	
	14	261658	SWIVEL	1			JPY	
	15	261657	PACKING	1			JPY	
	16	263737	SCREW	4			JPY	
	17	282299	PRIMER	1			JPY	
	18	282512	PIPE	1			JPY	
	19	282301	GASKET	1			JPY	
	20	282302	HOUSING ASSY	1		Incl.21-26	JPY	
	21	282303	HOUSING BODY	1			JPY	
	22	282484	SLEEVE	3			JPY	
	23	282304	MACHINED DISC	1			JPY	
	24	282305	LEVER	1			JPY	
	25	269032	SCREW	1	5		JPY	
	26	269423	NUT	1	5		JPY	
	27	261814	CAP SCREW	2	5	M5x50	JPY	
	28	264807	CAP SCREW	1	5	M5x16	JPY	
	29	282481	PLATE	1			JPY	
	30	282306	ELEMENT	1			JPY	
	31	287418	CLEANER COVER	1			JPY	
	32	279350	KNOB	1			JPY	
	33	286893	TANK ASSY	1		Incl.34-43	JPY	
	34	286067	TANK	1			JPY	
	35	275306	FUEL TANK CAP ASSY	1		Incl.36	JPY	
	36	274875	PACKING	1			JPY	
	37	286794	FUEL PIPE ASSY	1		Incl.38-43	JPY	
	38	268065	GROMMET	1			JPY	
	39	262649	FUEL PIPE	1			JPY	
	40	261590	BREATHER SUB ASSY	1			JPY	
	41	261117	CLIP	1			JPY	

Status	Position	Parts Number	Parts Name	Unit Quantity	Lot Order Quantity	Remarks	Currency	Maker code
	42	247107	FUEL FILTER ASSY	1			JPY	
	43	261117	CLIP	1			JPY	
	44	261117	CLIP	2			JPY	
	45	285819	STAND	1			JPY	
	46	285735	RUBBER PACKING	4	5		JPY	
	47	281714	CAP SCREW	4		M5x20	JPY	
	48	269032	SCREW	1	5		JPY	

GK4500S
5. ACCESSORIES



Status	Position	Parts Number	Parts Name	Unit Quantity	Lot Order Quantity	Remarks	Currency	Maker code
	1	228008	BOX SPANNER	1		17x19x(+)	JPY	
	2	054756	DOUBLE ENDED SPANNER	1		10x13	JPY	
	3	219432	WRENCH	1		4mm	JPY	
	4	219433	WRENCH	1		5mm	JPY	
	5	220534	BLADE COVER	1			JPY	
	6	227910	THREE TEETH BLADE	1			JPY	
	7	234860	NYLON HEAD (L)5	1			JPY	
	8	242980		1			JPY	
	9	525120	GK4500S/Y21	1		GK4500S	JPY	